

# SMD CERAMIC WIRE-WOUND CHIP INDUCTORS

AISC-0603-xxx



RoHS  
Compliant



1.6 x 0.76 x 0.97mm

## FEATURES:

- Ceramic construction assures the utmost thermal stability & high SRF
- Exceptionally high Q compared to non-wirewound inductors, especially at high frequencies
- Inductance options from 1.8nH to 390nH

- Epoxy changes from top partial coverage to full coverage for better wire protection; does not affect product function or properties

## APPLICATIONS:

- Widely applied in VCO, SAW circuit for GSM, & CDMA communications
- Used in hard disk, notebook computers & other electronic equipment

## ELECTRICAL SPECIFICATIONS:

Part Number	L (nH)	Tolerance Available %	L Test Freq (MHz)	Q Min	Q Test Freq (MHz)	SRF Min (MHz)	R <sub>DC</sub> Max (Ω)	I <sub>DC</sub> Max (mA)
AISC-0603-R0018	1.8	J,K	250	16	250	6000	0.045	700
R0022	2.1	J,K	250	13	250	6000	0.25	700
R0033	3.3	J,K	250	30	250	6000	0.035	700
R0039	3.9	G,J,K	250	20	250	6000	0.080	700
R0043	4.3	G,J,K	250	22	250	5900	0.063	700
R0047	4.7	G,J,K	250	10	250	6000	0.200	700
R0051	5.1	G,J,K	250	18	250	6000	0.180	700
R0056	5.6	G,J,K	250	25	250	6000	0.100	700
R0062	6.2	G,J,K	250	25	250	5500	0.110	700
R0068	6.8	G,J,K	250	25	250	5800	0.110	700
R0075	7.5	G,J,K	250	30	250	5700	0.120	700
R0082	8.2	G,J,K	250	31	250	5700	0.120	700
R0087	8.7	G,J,K	250	28	250	4600	0.109	700
R0095	9.5	G,J,K	250	28	250	5400	0.135	700
R010	10	G,J,K	250	30	250	4800	0.130	700
R011	11	G,J,K	250	30	250	4000	0.086	700
R012	12	G,J,K	250	30	250	4000	0.130	700
R015	15	G,J,K	250	30	250	4000	0.170	700
R018	18	G,J,K	250	30	250	3100	0.170	700
R022	22	G,J,K	250	35	250	3000	0.190	700
R023	23	G,J,K	250	40	250	1800	0.200	600
R024	24	G,J,K	250	35	250	2800	0.220	600
R027	27	G,J,K	250	35	250	2565	0.220	600
R033	32.5	G,J,K	250	35	250	2300	0.220	600
R037	37	G,J,K	250	35	250	2200	0.250	600
R039	39	G,J,K	250	35	250	2200	0.250	600
R047	47	G,J,K	200	35	250	2000	0.280	600
R051	51	G,J,K	200	38	250	1800	0.280	700
R056	56	G,J,K	200	35	250	1800	0.310	600
R068	68	G,J,K	200	35	250	1700	0.340	600
R072	72	G,J,K	150	35	250	1700	0.490	400
R082	82	G,J,K	150	35	250	1700	0.540	400
R10	100	G,J,K	150	35	250	1500	0.710	400
R11	110	G,J,K	150	35	250	1400	0.750	300
R12	120	G,J,K	150	35	250	1350	0.790	300
R15	150	G,J,K	150	28	150	1200	0.920	280
R18	180	G,J,K	100	25	100	1000	1.25	240
R22	220	G,J,K	100	25	100	950	1.50	200
R27	270	G,J,K	100	25	100	770	1.80	170
R33	330	G,J,K	100	24	100	500	2.00	150
R39	390	G,J,K	100	23	100	350	2.90	120

## PARAMETERS

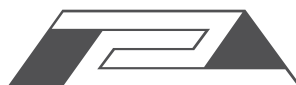
ABRACON P/N:  
AISC-0603-xxx Series

Operating temperature  
-25°C to + 85°C

Storage temperature:  
-25°C to + 85°C, 70% RH max.

I<sub>DC</sub> based on a 20°C maximum temperature rise

ABRACON IS  
ISO 9001 / QS 9000  
CERTIFIED



**ABRACON**  
CORPORATION

Visit [www.abracon.com](http://www.abracon.com) for Terms & Conditions of Sale **Revised: 12.19.08**  
30332 Esperanza, Rancho Santa Margarita, California 92688  
tel 949-546-8000 | fax 949-546-8001 | [www.abracon.com](http://www.abracon.com)

# SMD CERAMIC WIRE-WOUND CHIP INDUCTORS

AISC-0603-xxx



1.6 x 0.76 x 0.97mm

## OPTIONS AND PART IDENTIFICATION:

(Left blank if standard)

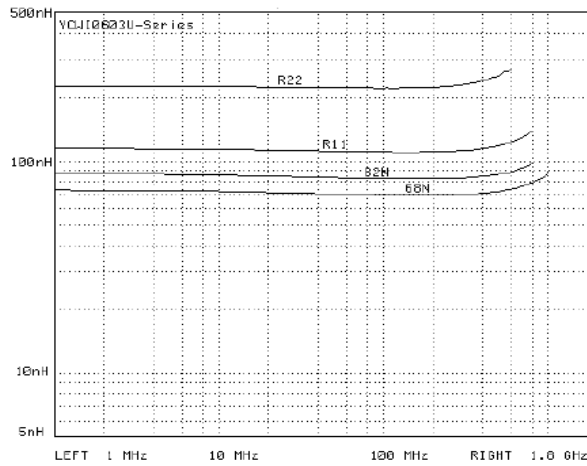
AISC - 0603 - □□□□ - □

Inductance Code
Please refer to the Table

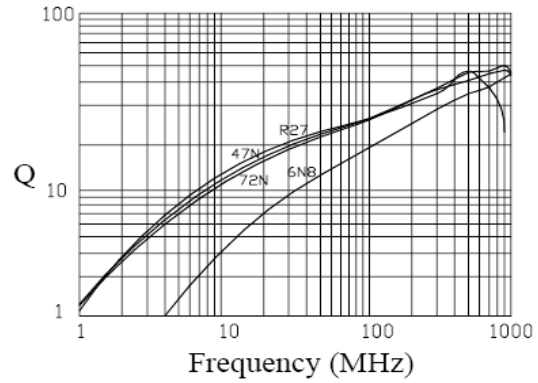
Tolerance Code	
G	±2%
J	±5%
K	±10%

Packaging	
T	Tape & Reel

Typical L Vs Frequency



Typical Q Vs Frequency



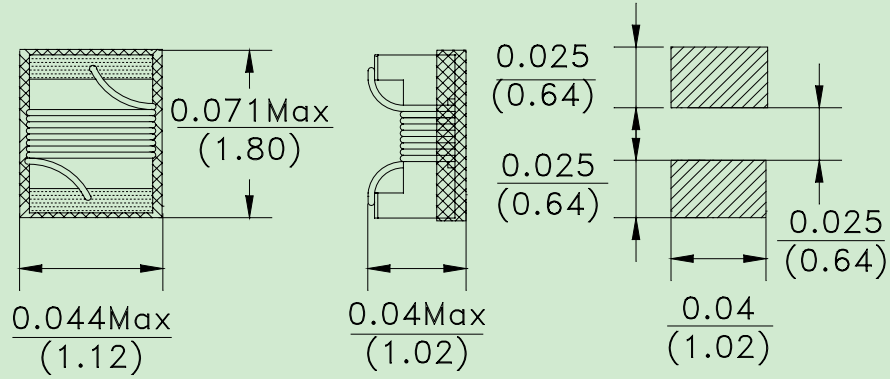
# SMD CERAMIC WIRE-WOUND CHIP INDUCTORS

AISC-0603-xxx



1.6 x 0.76 x 0.97mm

## OUTLINE DRAWING:

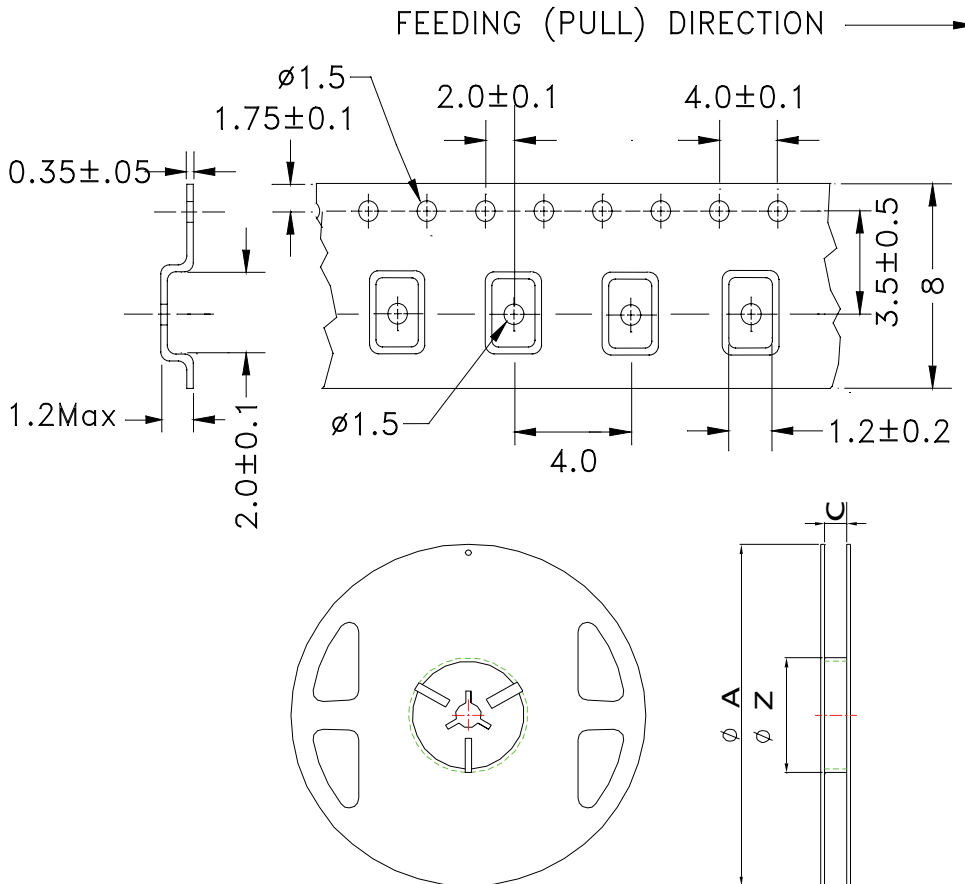


Epoxy Full Coverage

Land Pattern

Dimensions: Inch (mm)

## TAPE & REEL: Tape and reel 2,000pcs/reel



Series	A	C	Z
AISC-0603-xxx	178±2.0	8.4+1.5	60±1.0

Dimensions: mm

ABRACON IS  
ISO 9001 / QS 9000  
CERTIFIED



Visit [www.abracon.com](http://www.abracon.com) for Terms & Conditions of Sale **Revised: 12.19.08**  
30332 Esperanza, Rancho Santa Margarita, California 92688  
tel 949-546-8000 | fax 949-546-8001 | [www.abracon.com](http://www.abracon.com)